



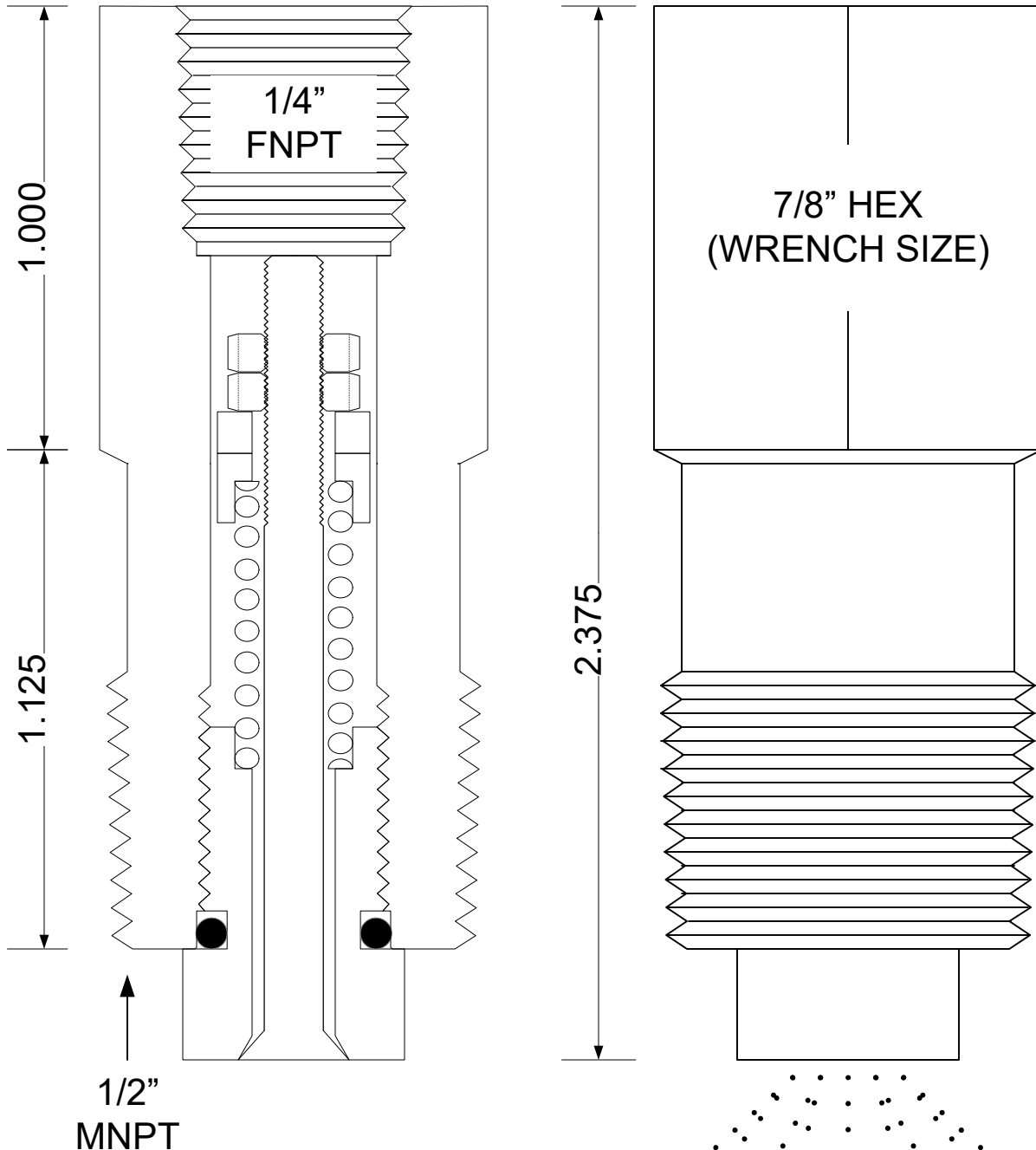
# FlowEZ Innovations, LLC

619A North Severin Street, Erath, LA. 70533

Phone (337) 937-8383 Fax (337) 937-0113

[www.FlowEZ.com](http://www.FlowEZ.com)

## Atomizer Assembly - 1/2" MNPT x .25" Extension 1/4" NPT Inlet Port, 300-500 PSI Cracking Pressure



Housing and All Components other than spring are 316 Stainless Steel.

302 Stainless Steel Spring is pre-set to release between 300 and 500 PSI.

Spring retainer allows flow on O.D. and I.D. of Spring to prevent plugging

AFLAS Fluoroelastomer O-Ring Seal

Flush mounted valve allows a wide angle pattern with minimal drip formation.

**PROUDLY  
MADE  
IN THE**



**USA**

Patent No: US 7,117,757

